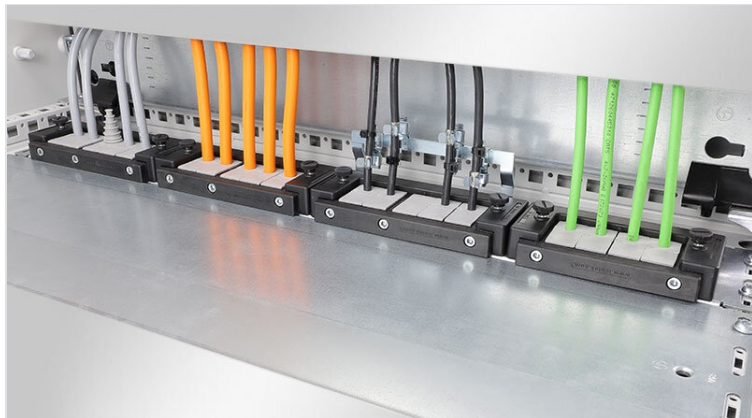


KDR-ESR gland plates with slide frames

for Rittal, nVent Hoffman & Häwa enclosures / IP54



The KDR-ESR is a one-piece plate to be assembled on enclosure bases. Slide frames for the [KEL-U cable entry frames](#) and [KEL-QUICK cable entry frames](#) are already pre-assembled. On some gland plate types [KEL-JUMBO cable entry frames](#) can be mounted as well.

After installing all cables into the KEL-U frames, they are easily and quickly inserted into the slide frames and fixed. During maintenance, the KEL-U frames are removed without tools from the slide frames. Due to the combination KDR-ESR and KEL-U cable entry frames, a rating of IP54 is achieved (with correct selection of cable grommets). Slide frames which are no longer required, are closed with [BPK-SNAP blank plates](#).

The extremely narrow (75 mm) gland plate KDRS-ESR-VX25 is assembled on enclosure base plates. This enables straight cable routing into the cable duct, without bending the cables. Thus, the cable duct can be set lower allowing more space for other components in the cabinet.

IP54

HL3
EN 45545-2

RoHS
compliant

REACH
COMPLIANCE

Made in
Germany

Specifications

IP rating (EN 60529)	IP54
Material	Base plate: Steel, zinc plated ESR frame: Polyamide
Flame class	UL94-V0, self-extinguishing
Operating temperature	-40 C° to 90 C°
Properties	silicone free, halogen free
Mounting options	Screw type mounting

Advantages & Benefits

- Easy assembly and removal
- During assembly, almost the complete base of the enclosure can be used for installation of cables
- Even large connectors can be installed easily
- Subsequent assembly possible
- No additional sheet metal work required

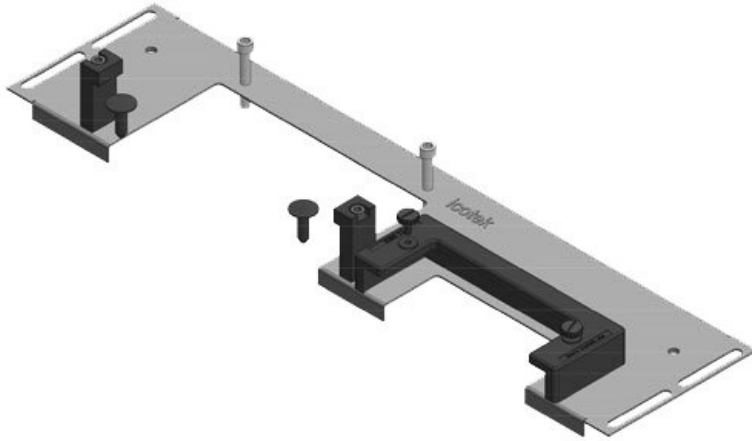
Product types & Sizes

KDR-ESR-VX25-600-44500



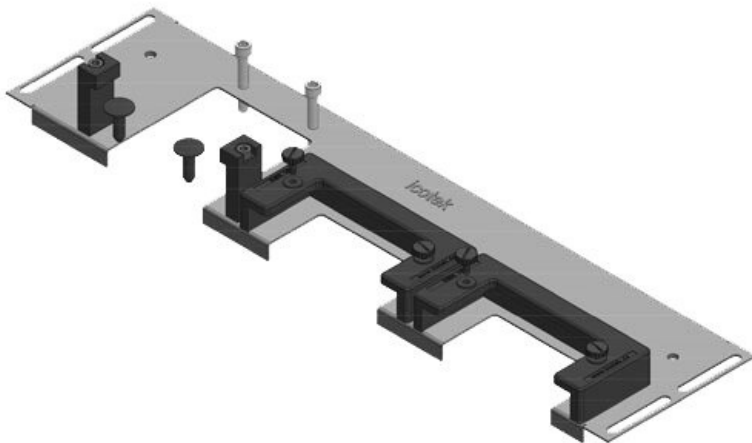
Part No.	44500	For enclosure	600 mm
EAN	4251269319	width	
	754	Sight size of	452 mm
Package	1	base opening	
quantity		Suitable for	2 × KEL-U 24
Length	488 mm	cable entry	/ KEL-QUICK
Width	100 mm	systems:	24
Height	43 mm	Suitable for	Rittal VX25
Total length	488 mm	enclosure	
gland plate			

KDR-ESR-VX25-600-44501



Part No.	44501	For enclosure width	600 mm
EAN	4251269319761	Sight size of base opening	452 mm
Package quantity	1	Suitable for cable entry systems:	1 × KEL-U 24 / KEL-QUICK 24, 1 × KEL-JUMBO 2
Length	488 mm	Suitable for enclosure	Rittal VX25
Width	120 mm		
Height	57 mm		
Total length gland plate	488 mm		

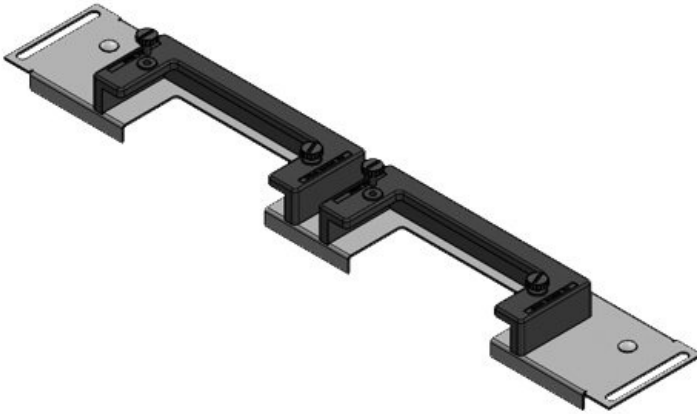
KDR-ESR-VX25-600-44502



Part No.	44502	For enclosure width	600 mm
EAN	4251269319778	Sight size of base opening	452 mm
Package quantity	1	Suitable for cable entry systems:	2 × KEL-U 16 / KEL-QUICK 16, 1 × KEL-JUMBO 1
Length	488 mm	Suitable for enclosure	Rittal VX25
Width	120 mm		
Height	57 mm		
Total length gland plate	488 mm		

KDRS-ESR-VX25-600-44512

Part No.	44512	For enclosure	600 mm
EAN	4251269321	width	
	108	Sight size of	452 mm
Package	1	base opening	
quantity		Suitable for	2 × KEL-U 24
Length	488 mm	cable entry	/ KEL-QUICK
Width	75 mm	systems:	24
Height	44 mm	Suitable for	Rittal VX25
Total length	488 mm	enclosure	
gland plate			

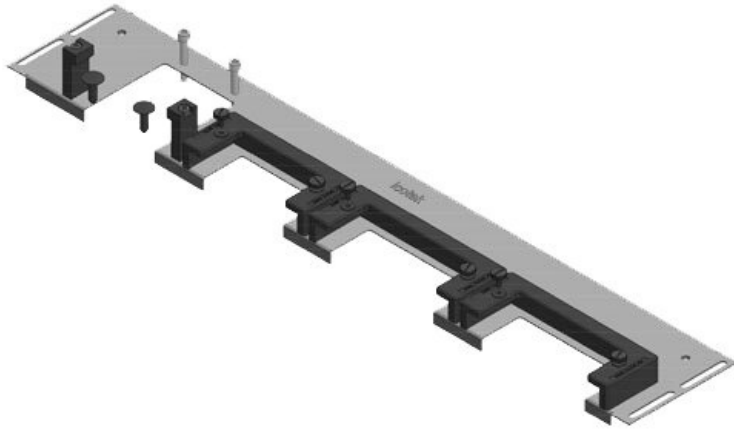


KDR-ESR-VX25-800-44503

Part No.	44503	For enclosure	800 mm
EAN	4251269319	width	
	785	Sight size of	652 mm
Package	1	base opening	
quantity		Suitable for	3 × KEL-U 24
Length	688 mm	cable entry	/ KEL-QUICK
Width	100 mm	systems:	24, 1 × KEL-
Height	43 mm		U 16 / KEL-
Total length	688 mm		QUICK 16
gland plate		Suitable for	Rittal VX25
		enclosure	

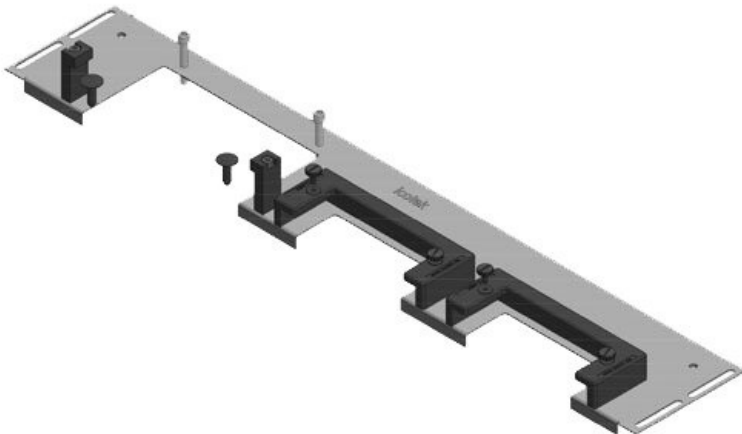


KDR-ESR-VX25-800-44504



Part No.	44504	For enclosure width	800 mm
EAN	4251269319792	Sight size of base opening	652 mm
Package quantity	1	Suitable for cable entry systems:	2 × KEL-U 24 / KEL-QUICK 24, 1 × KEL-U 16 / KEL-QUICK 16, 1 × KEL-JUMBO 1
Length	688 mm		
Width	120 mm		
Height	57 mm		
Total length gland plate	688 mm	Suitable for enclosure	Rittal VX25

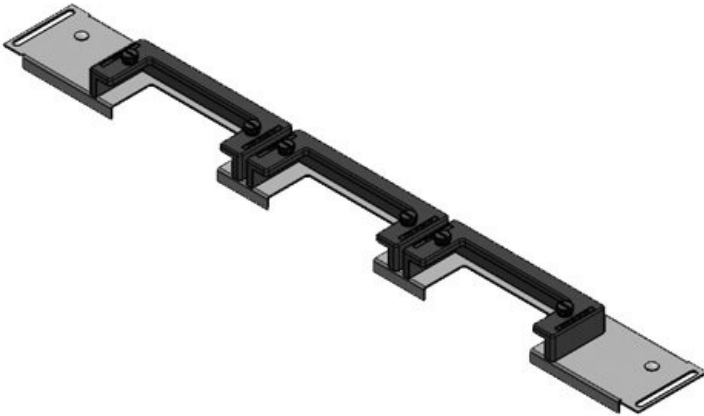
KDR-ESR-VX25-800-44505



Part No.	44505	For enclosure width	800 mm
EAN	4251269319808	Sight size of base opening	652 mm
Package quantity	1	Suitable for cable entry systems:	2 × KEL-U 24 / KEL-QUICK 24, 1 × KEL-JUMBO 2
Length	688 mm		
Width	120 mm		
Height	57 mm		
Total length gland plate	688 mm	Suitable for enclosure	Rittal VX25

KDRS-ESR-VX25-800-44513

Part No.	44513	For enclosure	800 mm
EAN	4251269321	width	
	115	Sight size of	652 mm
Package	1	base opening	
quantity		Suitable for	3 × KEL-U 24
Length	688 mm	cable entry	/ KEL-QUICK
Width	75 mm	systems:	24
Height	43 mm	Suitable for	Rittal VX25
Total length	688 mm	enclosure	
gland plate			

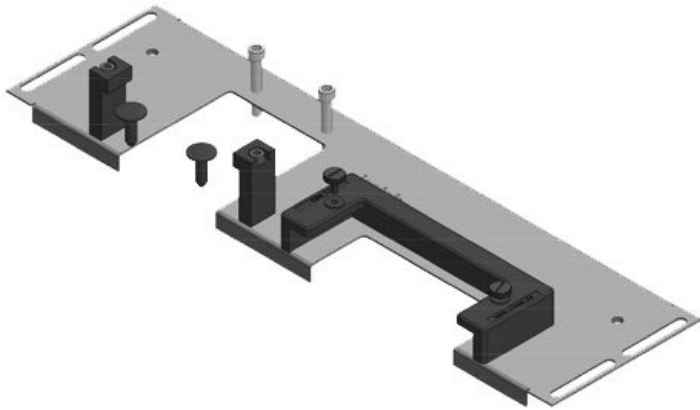


KDR-ESR-VX25-1000-44506

Part No.	44506	For enclosure	1.000 mm
EAN	4251269319	width	
	815	Sight size of	402 mm
Package	1	base opening	
quantity		Division bar	yes
Length	438 mm	Suitable for	2 × KEL-U 24
Width	100 mm	cable entry	/ KEL-QUICK
Height	43 mm	systems:	24
Total length	438 mm	Suitable for	Rittal VX25
gland plate		enclosure	

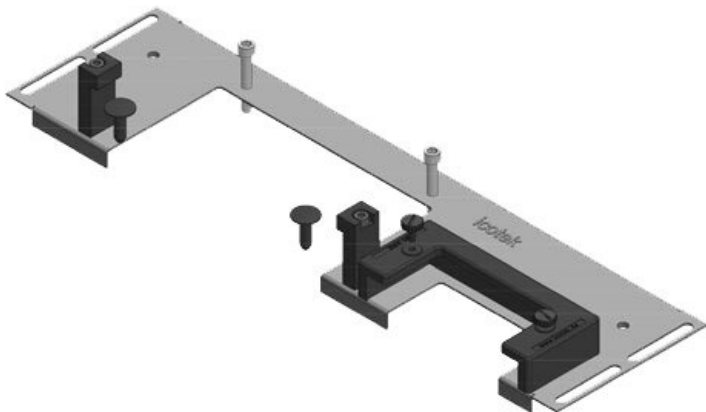


KDR-ESR-VX25-1000-44507



Part No.	44507	For enclosure width	1.000 mm
EAN	4251269319	Sight size of base opening	402 mm
Package quantity	1	Division bar	yes
Length	438 mm	Suitable for cable entry systems:	1 × KEL-U 24 / KEL-QUICK 24, 1 × KEL-JUMBO 1
Width	120 mm	Suitable for enclosure	Rittal VX25
Height	57 mm		
Total length gland plate	438 mm		

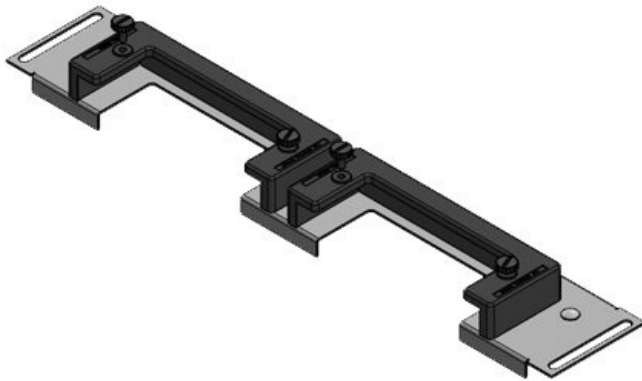
KDR-ESR-VX25-1000-44508



Part No.	44508	For enclosure width	1.000 mm
EAN	4251269319	Sight size of base opening	402 mm
Package quantity	1	Division bar	yes
Length	438 mm	Suitable for cable entry systems:	1 × KEL-U 16 / KEL-QUICK 16, 1 × KEL-JUMBO 2
Width	120 mm	Suitable for enclosure	Rittal VX25
Height	57 mm		
Total length gland plate	438 mm		

KDRS-ESR-VX25-1000-44514

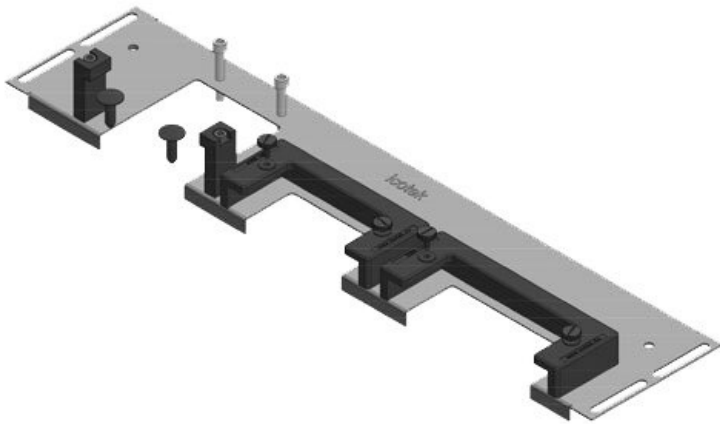
Part No.	44514	For enclosure width	1.000 mm
EAN	4251269321	Sight size of base opening	402 mm
Package quantity	1	Suitable for cable entry systems:	2 × KEL-U 24 / KEL-QUICK 24
Length	438 mm	Suitable for enclosure	Rittal VX25
Width	75 mm		
Height	44 mm		
Total length gland plate	438 mm		



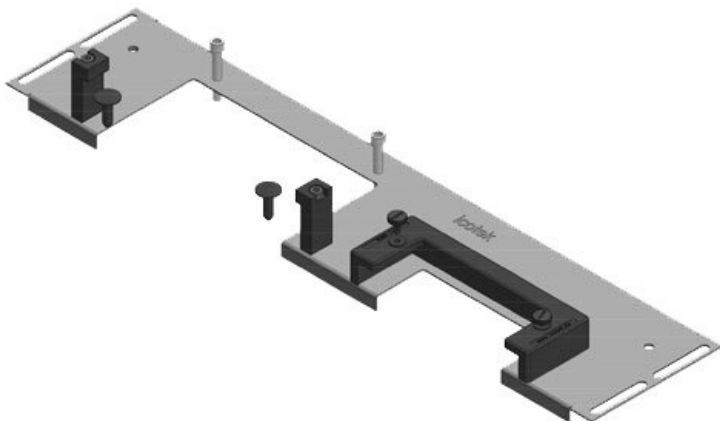
KDR-ESR-VX25-1200-44509

Part No.	44509	For enclosure width	1.200 mm
EAN	4251269319	Sight size of base opening	502 mm
Package quantity	1	Suitable for cable entry systems:	3 × KEL-U 24 / KEL-QUICK 24
Length	538 mm	Suitable for enclosure	Rittal VX25
Width	100 mm		
Height	43 mm		
Total length gland plate	538 mm		





Part No.	44510	For enclosure width	1.200 mm
EAN	4251269319	Sight size of base opening	502 mm
Package quantity	1	Suitable for cable entry systems:	1 × KEL-U 24 / KEL-QUICK 24, 1 × KEL-U 16 / KEL-QUICK 16, 1 × KEL-JUMBO 1
Length	538 mm	Suitable for enclosure	Rittal VX25
Width	120 mm		
Height	57 mm		
Total length gland plate	538 mm		

KDR-ESR-VX25-1200-44511


Part No.	44511	For enclosure width	1.200 mm
EAN	4251269319	Sight size of base opening	502 mm
Package quantity	1	Suitable for cable entry systems:	1 × KEL-U 24 / KEL-QUICK 24, 1 × KEL-JUMBO 2
Length	538 mm	Suitable for enclosure	Rittal VX25
Width	120 mm		
Height	57 mm		
Total length gland plate	538 mm		

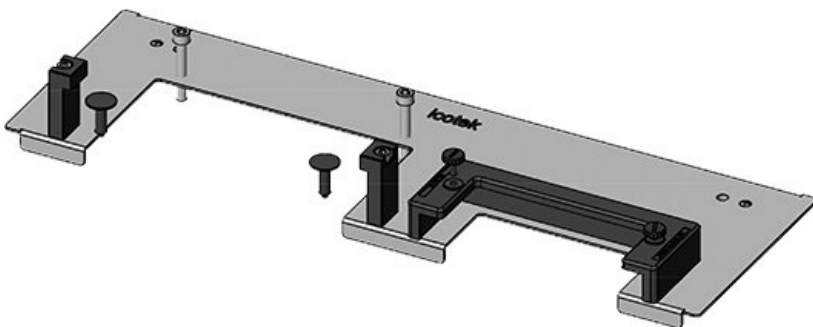
KDRS-ESR-VX25-1200-44515

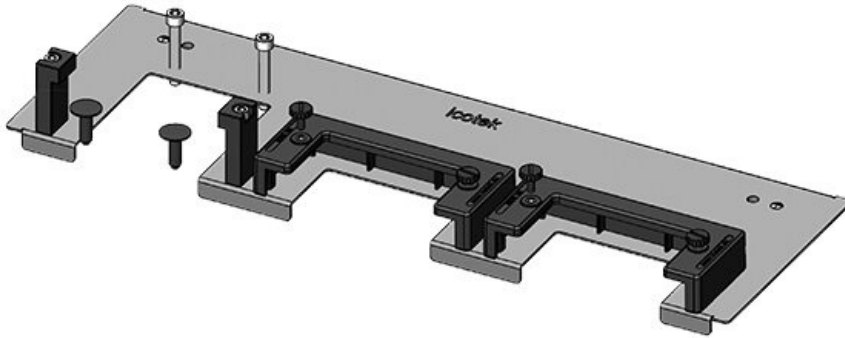
Part No.	44515	For enclosure	1.200 mm
EAN	4251269321	width	
	139	Sight size of	502 mm
Package	1	base opening	
quantity		Suitable for	3 × KEL-U 24
Length	538 mm	cable entry	/ KEL-QUICK
Width	75 mm	systems:	24
Height	44 mm	Suitable for	Rittal VX25
Total length	538 mm	enclosure	
gland plate			



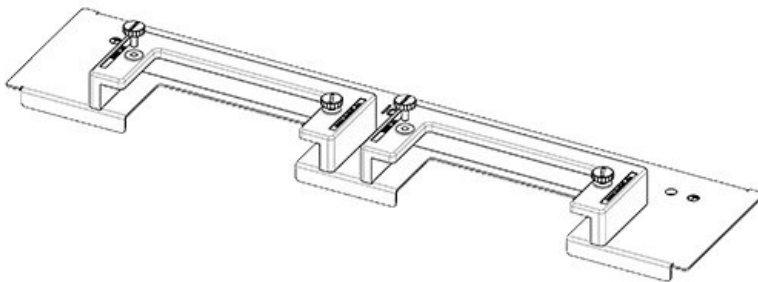
KDR-ESR-TS8-600-43070

Part No.	43070	For enclosure	600 mm
EAN	4251269309	width	
	519	Sight size of	435 mm
Package	1	base opening	
quantity		Suitable for	1 × KEL-U 24
Length	458 mm	cable entry	/ KEL-QUICK
Width	150 mm	systems:	24, 1 × KEL-
Height	57 mm		JUMBO 2
Total length	458 mm	Suitable for	Rittal TS 8
gland plate		enclosure	



KDR-ESR-TS8-600-43071

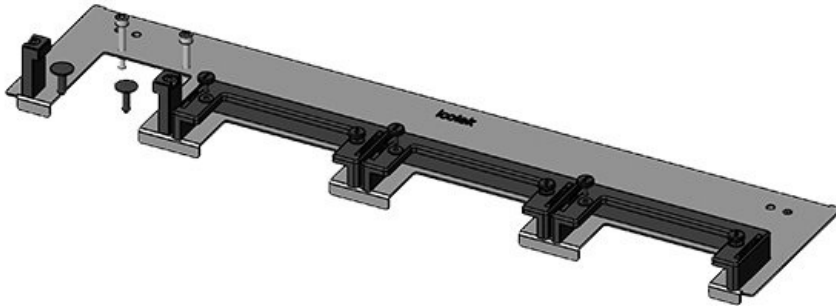
Part No.	43071	For enclosure width	600 mm
EAN	4251269309	Sight size of base opening	435 mm
Package quantity	1	Suitable for cable entry systems:	2 × KEL-U 16 / KEL-QUICK 16, 1 × KEL-JUMBO 1
Length	458 mm	Suitable for enclosure	Rittal TS 8
Width	150 mm		
Height	57 mm		
Total length gland plate	458 mm		

KDR-ESR-TS8-600-43079

Part No.	43079	For enclosure width	600 mm
EAN	4251269309	Sight size of base opening	435 mm
Package quantity	1	Suitable for cable entry systems:	2 × KEL-U 24 / KEL-QUICK 24
Length	458 mm	Suitable for enclosure	Rittal TS 8
Width	100 mm		
Height	44 mm		
Total length gland plate	458 mm		

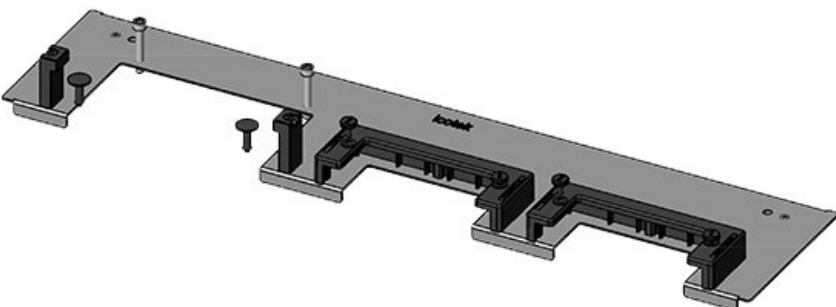
KDR-ESR-TS8-800-43072

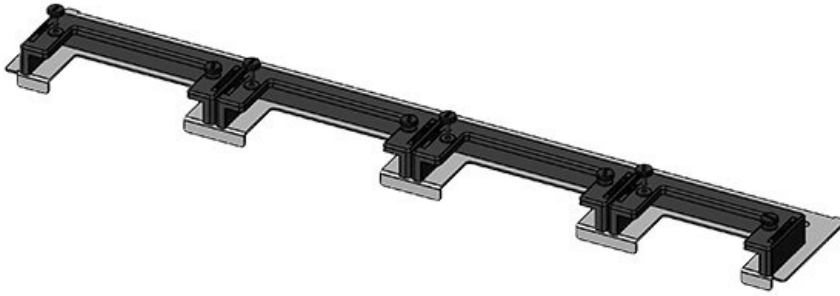
Part No.	43072	For enclosure	800 mm
EAN	4251269309	width	
	533	Sight size of	635 mm
Package	1	base opening	
quantity		Suitable for	3 × KEL-U 24
Length	658 mm	cable entry	/ KEL-QUICK
Width	150 mm	systems:	24, 1 × KEL-
Height	57 mm		JUMBO 1
Total length	658 mm	Suitable for	Rittal TS 8
gland plate		enclosure	



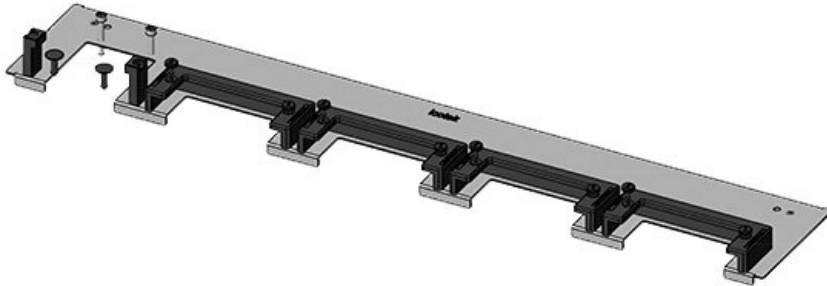
KDR-ESR-TS8-800-43073

Part No.	43073	For enclosure	800 mm
EAN	4251269309	width	
	540	Sight size of	635 mm
Package	1	base opening	
quantity		Suitable for	2 × KEL-U 24
Length	658 mm	cable entry	/ KEL-QUICK
Width	150 mm	systems:	24, 1 × KEL-
Height	57 mm		JUMBO 2
Total length	658 mm	Suitable for	Rittal TS 8
gland plate		enclosure	



KDR-ESR-TS8-800-43080

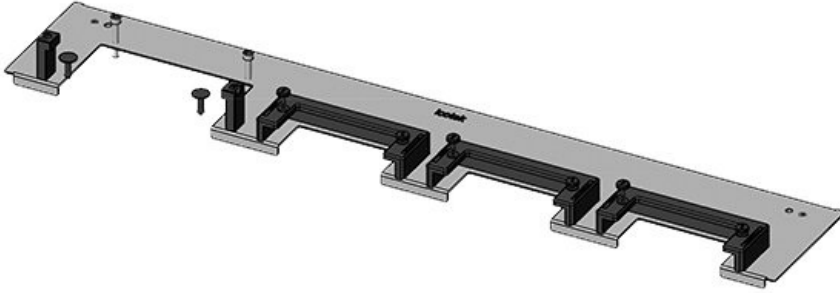
Part No.	43080	For enclosure width	800 mm
EAN	4251269309618	Sight size of base opening	635 mm
Package quantity	1	Suitable for cable entry systems:	3 × KEL-U 24 / KEL-QUICK 24, 1 × KEL-U 16 / KEL-QUICK 16
Length	658 mm	Suitable for enclosure	Rittal TS 8
Width	100 mm		
Height	44 mm		
Total length gland plate	658 mm		

KDR-ESR-TS8-1000-43074

Part No.	43074	For enclosure width	1.000 mm
EAN	4251269309557	Sight size of base opening	835 mm
Package quantity	1	Division bar	no
Length	858 mm	Suitable for cable entry systems:	4 × KEL-U 24 / KEL-QUICK 24, 1 × KEL-JUMBO 1
Width	150 mm	Suitable for enclosure	Rittal TS 8
Height	57 mm		
Total length gland plate	858 mm		

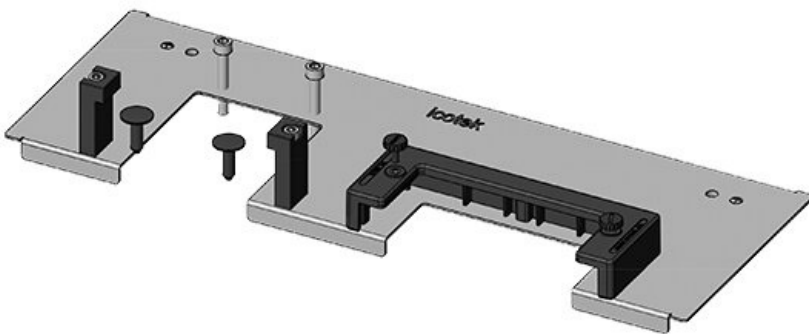
KDR-ESR-TS8-1000-43075

Part No.	43075	For enclosure	1.000 mm
EAN	4251269309	width	
	564	Sight size of	835 mm
Package	1	base opening	
quantity		Division bar	no
Length	858 mm	Suitable for	3 × KEL-U 24
Width	150 mm	cable entry	/ KEL-QUICK
Height	57 mm	systems:	24, 1 × KEL-
Total length	858 mm		JUMBO 2
gland plate		Suitable for	Rittal TS 8
		enclosure	

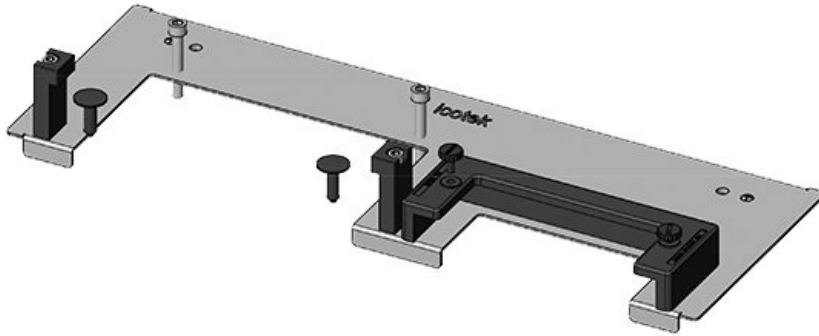


KDR-ESR-TS8-1000-43076

Part No.	43076	For enclosure	1.000 mm
EAN	4251269309	width	
	571	Sight size of	398 mm
Package	1	base opening	
quantity		Division bar	yes
Length	420 mm	Suitable for	1 × KEL-U 24
Width	150 mm	cable entry	/ KEL-QUICK
Height	57 mm	systems:	24, 1 × KEL-
Total length	420 mm		JUMBO 1
gland plate		Suitable for	Rittal TS 8
		enclosure	

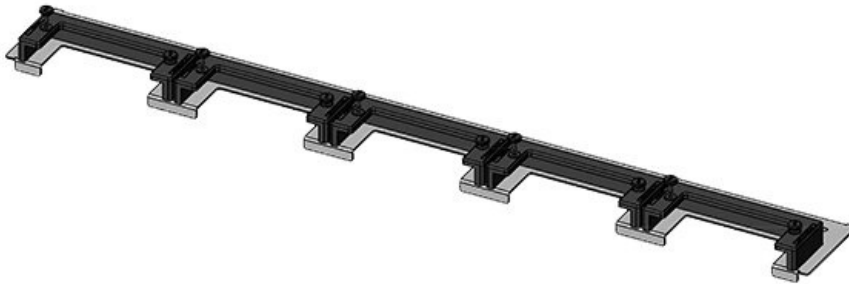


KDR-ESR-TS8-1000-43077



Part No.	43077	For enclosure width	1.000 mm
EAN	4251269309	Sight size of base opening	398 mm
Package quantity	1	Division bar	yes
Length	420 mm	Suitable for cable entry systems:	1 × KEL-U 24 / KEL-QUICK 24, 1 × KEL-JUMBO 2
Width	150 mm	Suitable for enclosure	Rittal TS 8
Height	57 mm		
Total length gland plate	420 mm		

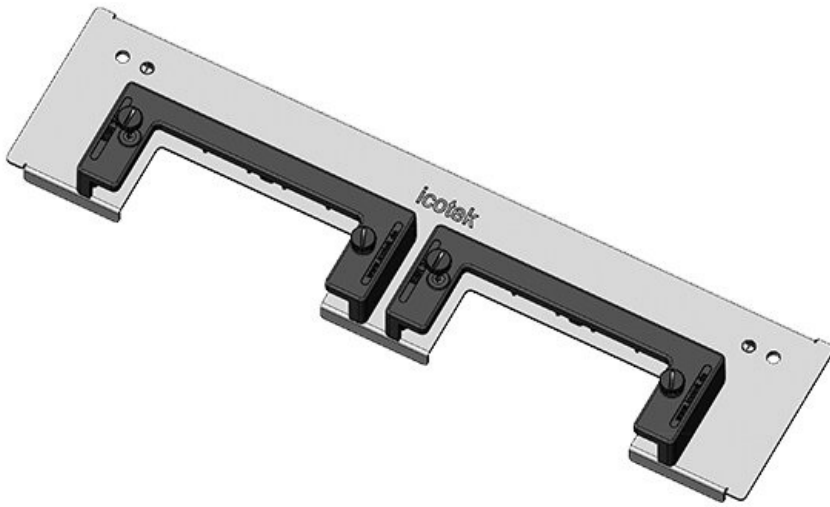
KDR-ESR-TS8-1000-43081



Part No.	43081	For enclosure width	1.000 mm
EAN	4251269309	Sight size of base opening	835 mm
Package quantity	1	Division bar	no
Length	858 mm	Suitable for cable entry systems:	5 × KEL-U 24 / KEL-QUICK 24
Width	100 mm	Suitable for enclosure	Rittal TS 8
Height	44 mm		
Total length gland plate	858 mm		

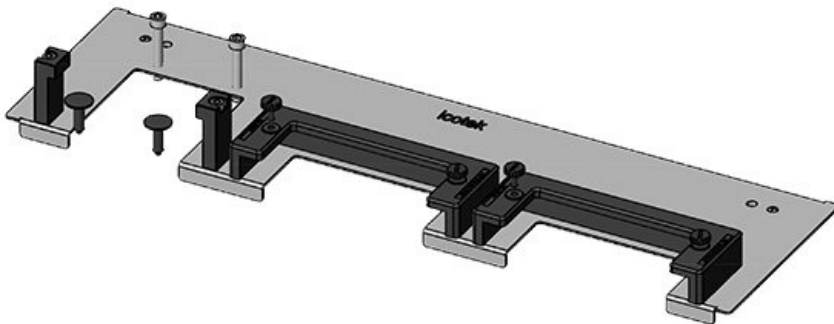
KDR-ESR-TS8-1000-43082

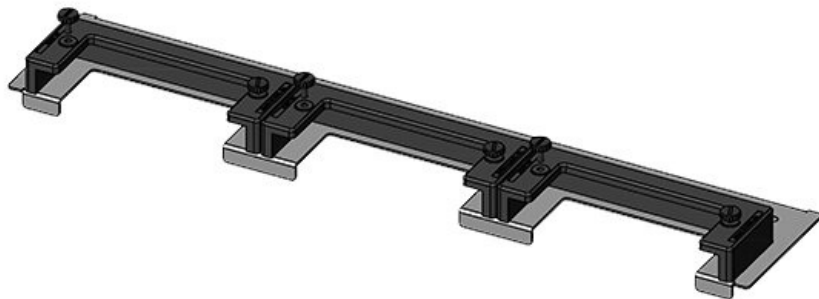
Part No.	43082	For enclosure width	1.000 mm
EAN	4251269309632	Sight size of base opening	398 mm
Package quantity	1	Division bar	yes
Length	420 mm	Suitable for cable entry systems:	2 × KEL-U 24 / KEL-QUICK 24
Width	100 mm	Suitable for enclosure	Rittal TS 8
Height	44 mm		
Total length gland plate	420 mm		



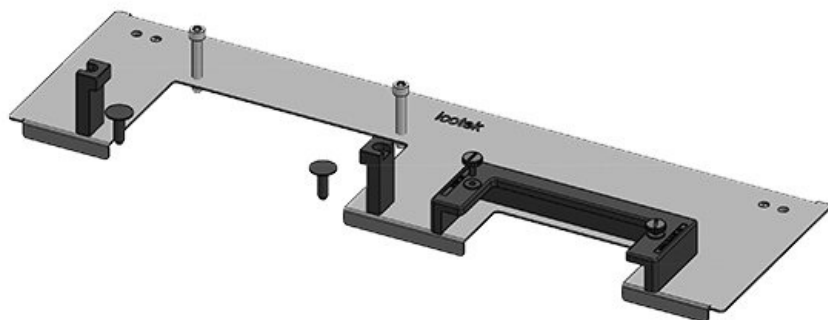
KDR-ESR-TS8-1200-43078

Part No.	43078	For enclosure width	1.200 mm
EAN	4251269309595	Sight size of base opening	495 mm
Package quantity	1	Suitable for cable entry systems:	2 × KEL-U 24 / KEL-QUICK 24, 1 × KEL-JUMBO 1
Length	518 mm	Suitable for enclosure	Rittal TS 8
Width	150 mm		
Height	57 mm		
Total length gland plate	518 mm		



KDR-ESR-TS8-1200-43083

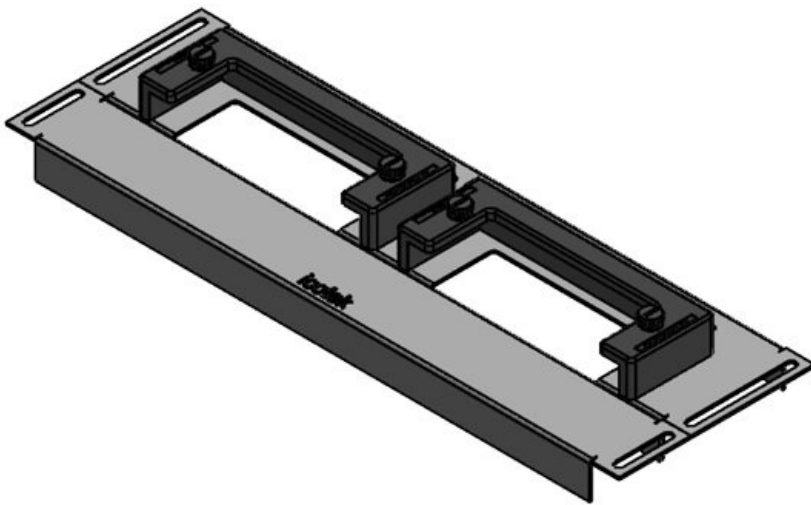
Part No.	43083	For enclosure width	1.200 mm
EAN	4251269309649	Sight size of base opening	495 mm
Package quantity	1	Suitable for cable entry systems:	3 × KEL-U 24 / KEL-QUICK 24
Length	518 mm	Suitable for enclosure	Rittal TS 8
Width	100 mm		
Height	44 mm		
Total length gland plate	518 mm		

KDR-ESR-TS8-1200-43084

Part No.	43084	For enclosure width	1.200 mm
EAN	4251269309656	Sight size of base opening	495 mm
Package quantity	1	Suitable for cable entry systems:	1 × KEL-U 24 / KEL-QUICK 24, 1 × KEL-JUMBO 2
Length	518 mm	Suitable for enclosure	Rittal TS 8
Width	150 mm		
Height	57 mm		
Total length gland plate	518 mm		

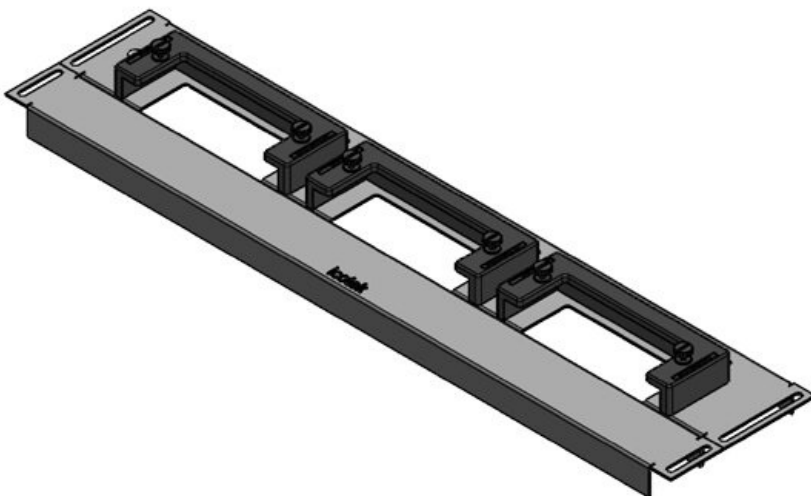
KDR-ESR-HW-600 + blank sheet

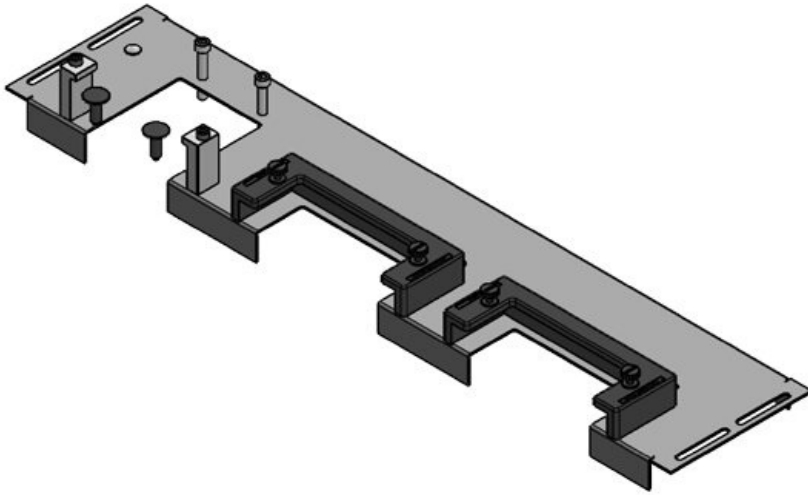
Part No.	44520	For enclosure	600 mm
EAN	4251269324	width	
	543	Sight size of	392 mm
Package	1	base opening	
quantity		Suitable for	2 × KEL-U 24
Length	427 mm	cable entry	/ KEL-QUICK
Width	136 mm	systems:	24
Height	56 mm	Suitable for	Häwa H390 /
Total length	427 mm	enclosure	H395
gland plate			



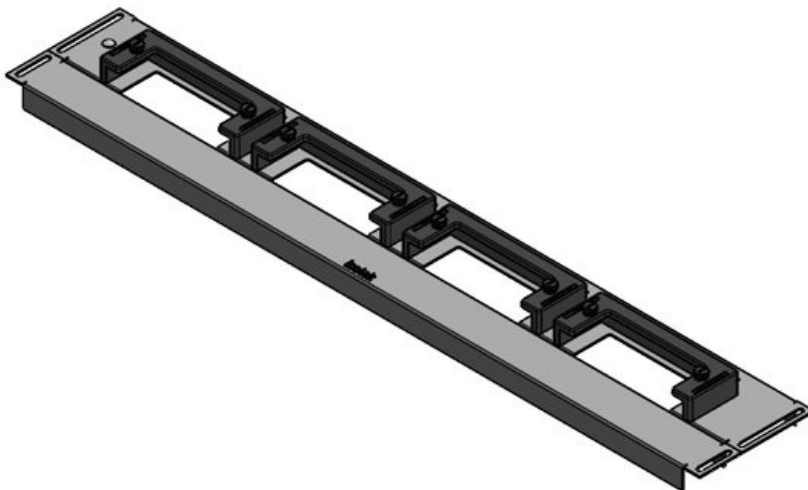
KDR-ESR-HW-800 + blank sheet

Part No.	44521	For enclosure	800 mm
EAN	4251269324	width	
	550	Sight size of	592 mm
Package	1	base opening	
quantity		Suitable for	3 × KEL-U 24
Length	627 mm	cable entry	/ KEL-QUICK
Width	136 mm	systems:	24
Height	59 mm	Suitable for	Häwa H390 /
Total length	627 mm	enclosure	H395
gland plate			



KDR-ESR-HW-800

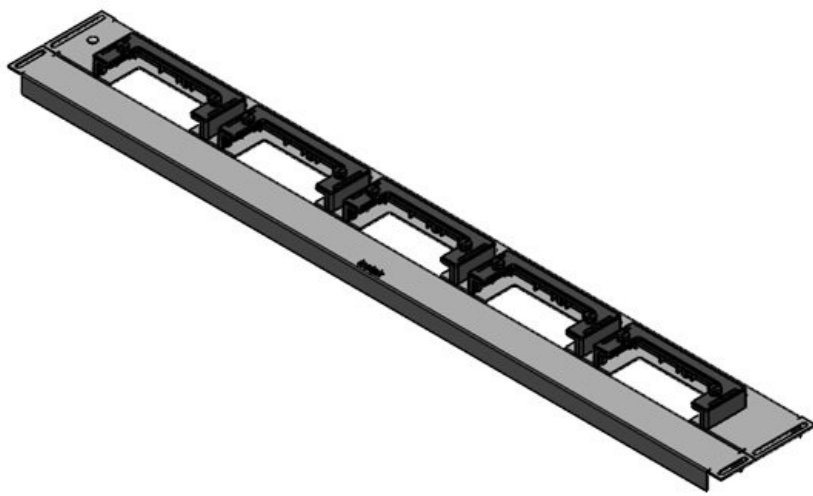
Part No.	44522	For enclosure width	800 mm
EAN	4251269324	Sight size of base opening	592 mm
Package quantity	1	Suitable for cable entry systems:	2 × KEL-U 24 / KEL-QUICK 24, 1 × KEL-JUMBO 1
Length	627 mm	Suitable for enclosure	Häwa H390 / H395
Width	133 mm		
Height	70 mm		
Total length gland plate	627 mm		

KDR-ESR-HW-1000 + blank sheet

Part No.	44523	For enclosure width	1.000 mm
EAN	4251269324	Sight size of base opening	792 mm
Package quantity	1	Suitable for cable entry systems:	4 × KEL-U 24 / KEL-QUICK 24
Length	827 mm	Suitable for enclosure	Häwa H390 / H395
Width	136 mm		
Height	56 mm		
Total length gland plate	827 mm		

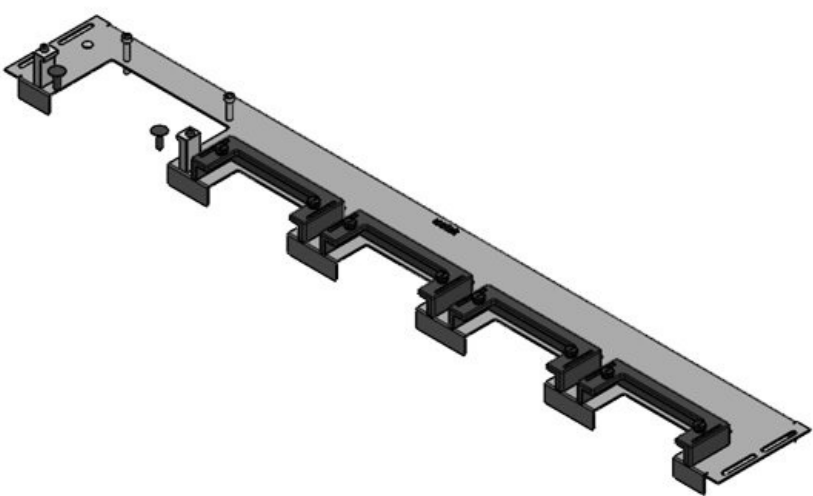
KDR-ESR-HW-1200 + blank sheet

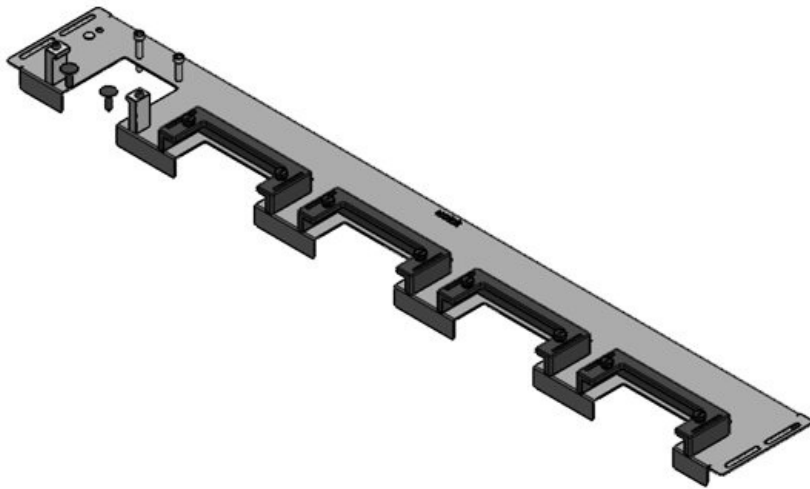
Part No.	44524	For enclosure	1.200 mm
EAN	4251269324	width	
	581	Sight size of	992 mm
Package	1	base opening	
quantity		Suitable for	5 × KEL-U 24
Length	1.027 mm	cable entry	/ KEL-QUICK
Width	136 mm	systems:	24
Height	56 mm	Suitable for	Häwa H390 /
Total length	1.027 mm	enclosure	H395
gland plate			



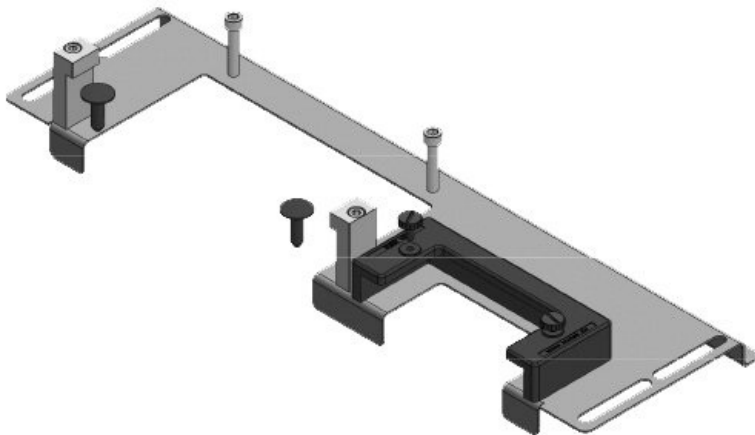
KDR-ESR-HW-1200-1

Part No.	44526	For enclosure	1.200 mm
EAN	4251269324	width	
	604	Sight size of	992 mm
Package	1	base opening	
quantity		Suitable for	4 × KEL-U 24
Length	1.027 mm	cable entry	/ KEL-QUICK
Width	133 mm	systems:	24, 1 × KEL-
Height	70 mm		JUMBO 1
Total length	1.027 mm	Suitable for	Häwa H390 /
gland plate		enclosure	H395



KDR-ESR-HW-1200-1

Part No.	44525	For enclosure width	1.200 mm
EAN	4251269324	Sight size of base opening	992 mm
Package quantity	1	Suitable for cable entry systems:	4 × KEL-U 24 / KEL-QUICK 24, 1 × KEL-JUMBO 2
Length	1.027 mm	Suitable for enclosure	Häwa H390 / H395
Width	133 mm		
Height	70 mm		
Total length gland plate	1.027 mm		

KDR-ESR-HG2-600-43250

Part No.	43250	For enclosure width	600 mm
EAN	4251269317	Sight size of base opening	368 mm
Package quantity	1	Suitable for cable entry systems:	1 × KEL-U 16 / KEL-QUICK 16, 1 × KEL-JUMBO 2
Length	432 mm	Suitable for enclosure	nVent Hoffman PROLINE G2
Width	131,5 mm		
Height	62,3 mm		
Total length gland plate	432 mm		

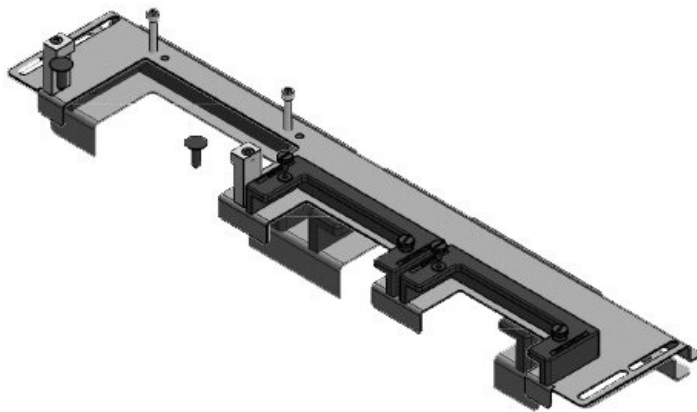
KDR-ESR-HG2-600-43251

Part No.	43251	For enclosure	600 mm
EAN	4251269317	width	
	040	Sight size of	368 mm
Package	1	base opening	
quantity		Suitable for	2 × KEL-U 24
Length	432 mm	cable entry	/ KEL-QUICK
Width	81 mm	systems:	24
Height	52,8 mm	Suitable for	nVent
Total length	432 mm	enclosure	Hoffman
gland plate			PROLINE G2



KDR-ESR-HG2-800-43252

Part No.	43252	For enclosure	800 mm
EAN	4251269317	width	
	057	Sight size of	568 mm
Package	1	base opening	
quantity		Suitable for	2 × KEL-U 24
Length	632 mm	cable entry	/ KEL-QUICK
Width	131,5 mm	systems:	24, 1 × KEL-
Height	45 mm		JUMBO 2
Total length	632 mm	Suitable for	nVent
gland plate		enclosure	Hoffman
			PROLINE G2

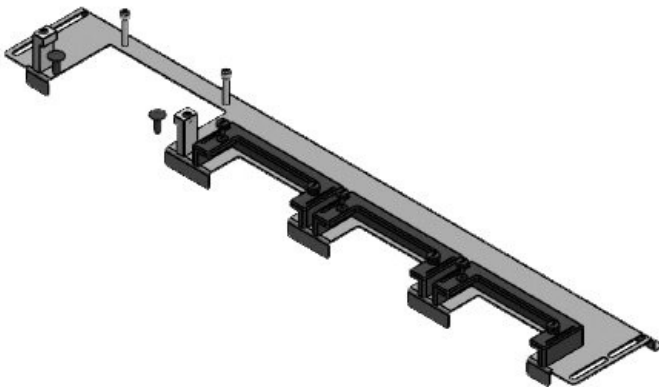


KDR-ESR-HG2-800-43253



Part No.	43253	For enclosure width	800 mm
EAN	4251269317064	Sight size of base opening	568 mm
Package quantity	1	Suitable for cable entry systems:	3 × KEL-U 24 / KEL-QUICK 24
Length	632 mm	Suitable for enclosure	nVent Hoffman PROLINE G2
Width	81 mm		
Height	52,8 mm		
Total length gland plate	632 mm		

KDR-ESR-HG2-1000-43254



Part No.	43254	For enclosure width	1.000 mm
EAN	4251269317071	Sight size of base opening	768 mm
Package quantity	1	Suitable for cable entry systems:	3 × KEL-U 24 / KEL-QUICK 24, 1 × KEL-JUMBO 2
Length	832 mm	Suitable for enclosure	nVent Hoffman PROLINE G2
Width	131,5 mm		
Height	41,3 mm		
Total length gland plate	832 mm		

Part No.	43255	For enclosure	1.000 mm
EAN	4251269317	width	
	088	Sight size of	768 mm
Package	1	base opening	
quantity		Suitable for	4 × KEL-U 24
Length	832 mm	cable entry	/ KEL-QUICK
Width	81 mm	systems:	24
Height	52,8 mm	Suitable for	nVent
Total length	832 mm	enclosure	Hoffman
gland plate			PROLINE G2

